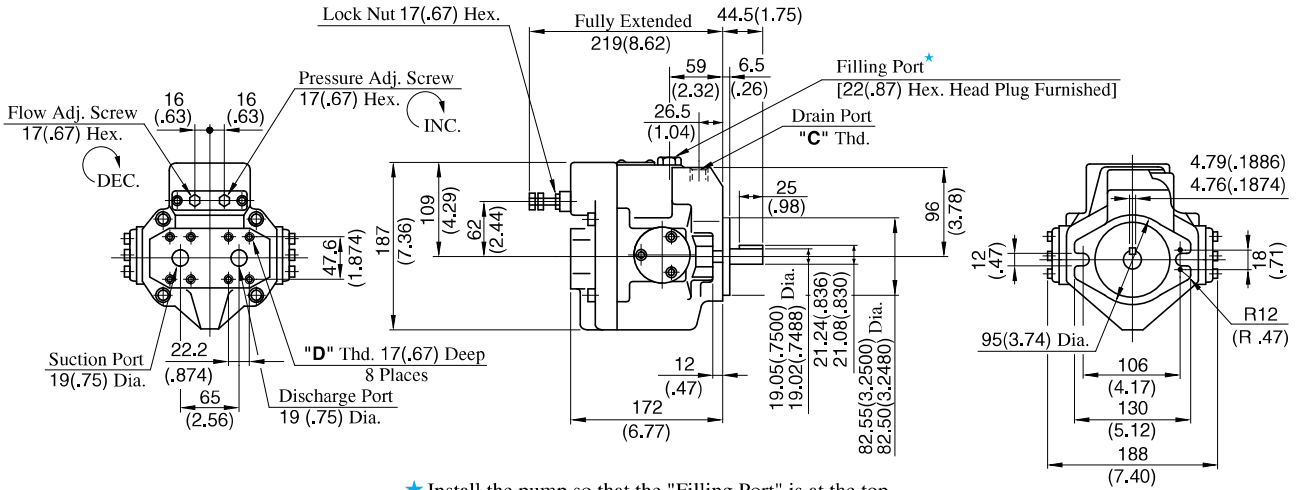


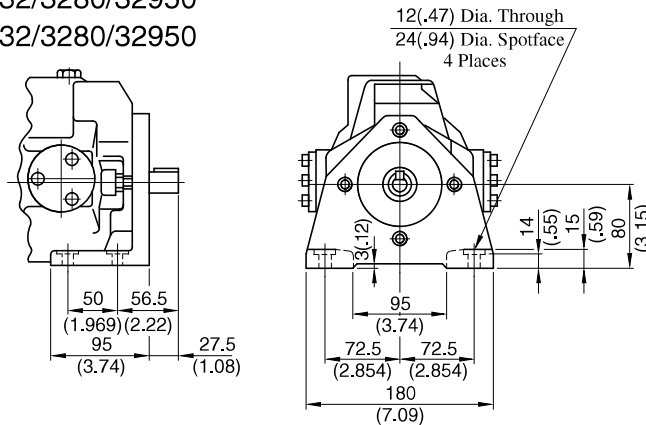
Axial Port Type

Flange Mtg.: A16-F-R-01-\*-K-32/3280/32950  
A22-F-R-01-\*-K-32/3280/32950

Model Numbers	"C" Thd.	"D" Thd.
A16/A22-F-R-01-*-K-32	Rc 3/8	M 10
A16/A22-F-R-01-*-K-3280	3/8 BSP.F	
A16/A22-F-R-01-*-K-3290	SAE #8	3/8-16 UNC



Foot Mtg.: A16-L-R-01-\*-K-32/3280/32950  
A22-L-R-01-\*-K-32/3280/32950

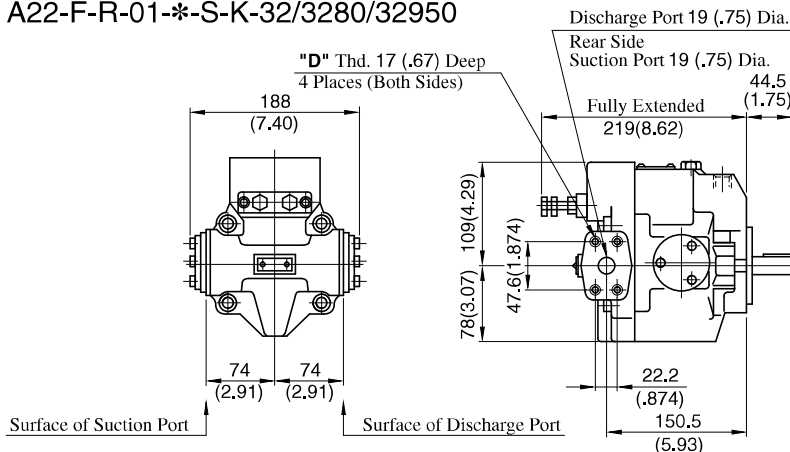


• For other dimensions, refer to "Flange Mtg.".

Side Port Type

DIMENSIONS IN MILLIMETRES (INCHES)

Flange Mtg.: A16-F-R-01-\*-S-K-32/3280/32950  
A22-F-R-01-\*-S-K-32/3280/32950

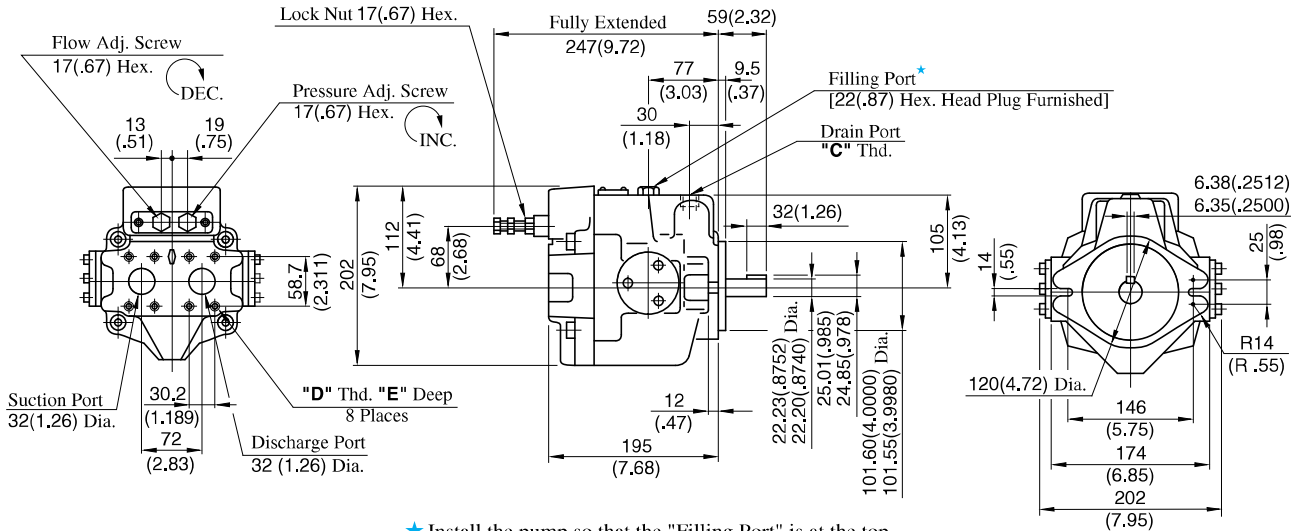


• For other dimensions, refer to "Axial Port Type".  
• Foot Mtg. Type; Mounting bracket is common to that of "Axial Port Type".

**Axial Port Type**

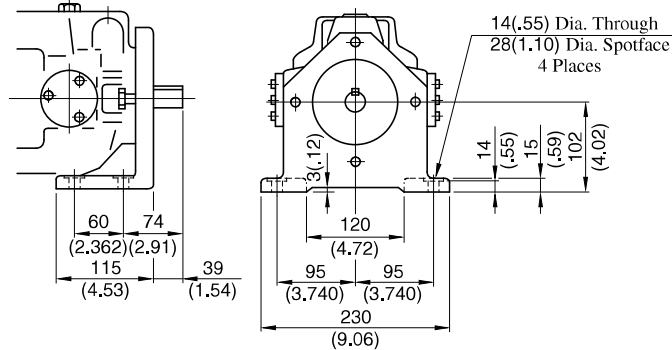
Flange Mtg.: A37-F-R-01-\*-K-32/3280/32950

Model Numbers	"C" Thd.	"D" Thd.	E mm (IN.)
A37-F-R-01-*-K-32	Rc 1/2	M 10	19 (.75)
A37-F-R-01-*-K-3280	1/2 BSP.F		
A37-F-R-01-*-K-32950	SAE #10	7/16-14 UNC	20 (.79)



★ Install the pump so that the "Filling Port" is at the top.

Foot Mtg.: A37-L-R-01-\*-K-32/3280/32950

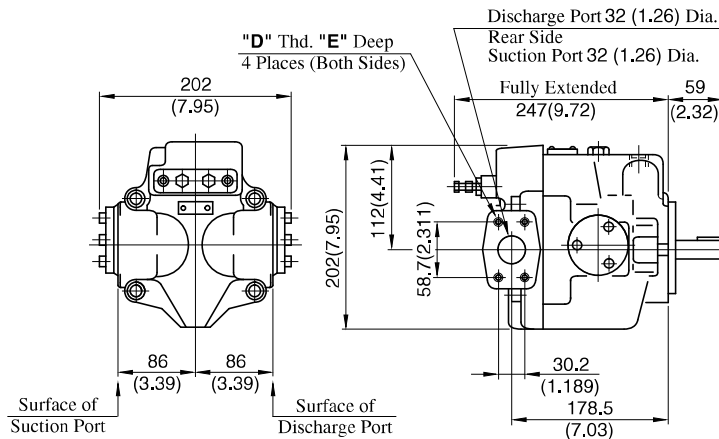


• For other dimensions, refer to "Flange Mtg.".

**Side Port Type**

**DIMENSIONS IN MILLIMETRES (INCHES)**

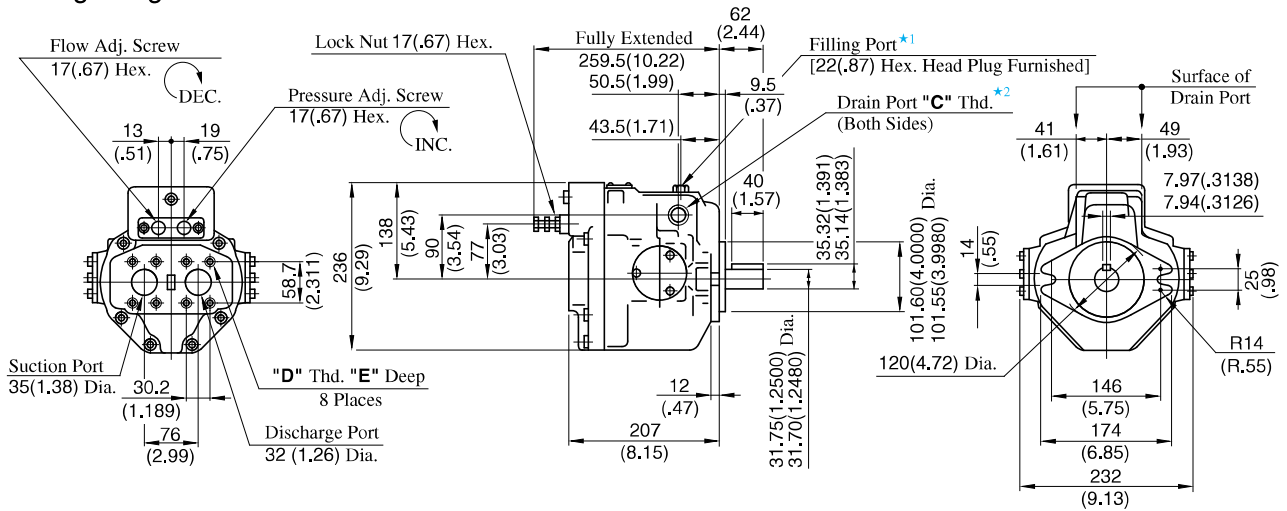
Flange Mtg.: A37-F-R-01-\*-S-K-32/3280/32950



• For other dimensions, refer to "Axial Port Type".  
 • Foot Mtg. Type; Mounting bracket is common to that of "Axial Port Type".

Axial Port Type

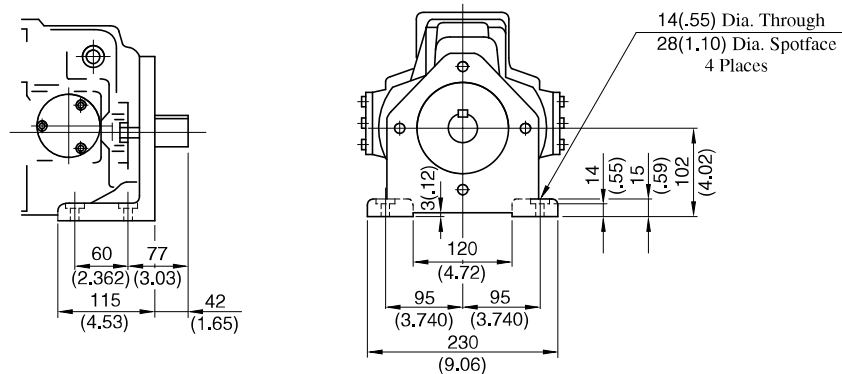
Flange Mtg.: A56-F-R-01-\*-K-32/3280/32950



Model Numbers	"C" Thd.	"D" Thd.	E mm (IN.)
A56-F-R-01-*-K-32	Rc 3/4	M 10	19 (.75)
A56-F-R-01-*-K-3280	3/4 BSP.F	M 10	19 (.75)
A56-F-R-01-*-K-32950	SAE #12	7/16-14 UNC	20 (.79)

- \*1. Install the pump so that the "Filling Port" is at the top.
- \*2. Use either port of the two drain ports at your option. Keep the remaining port plugged.

Foot Mtg.: A56-L-R-01-\*-K-32/3280/32950

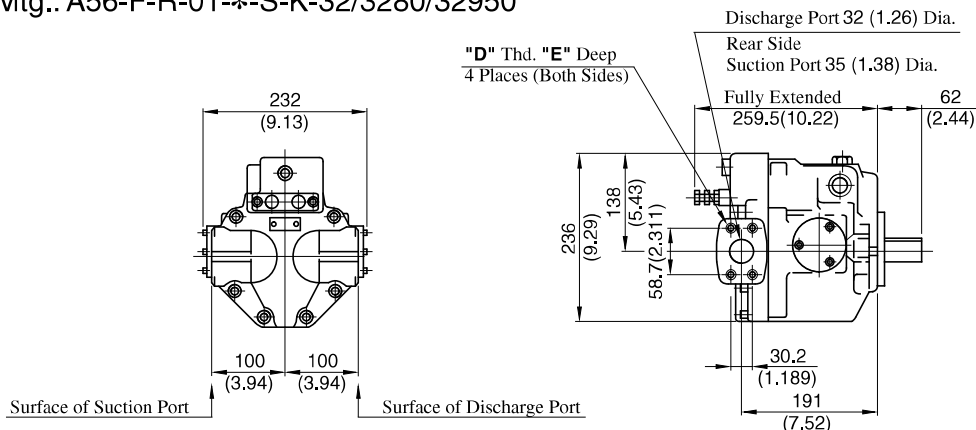


• For other dimensions, refer to "Flange Mtg.".

Side Port Type

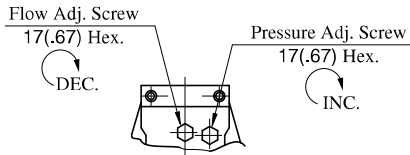
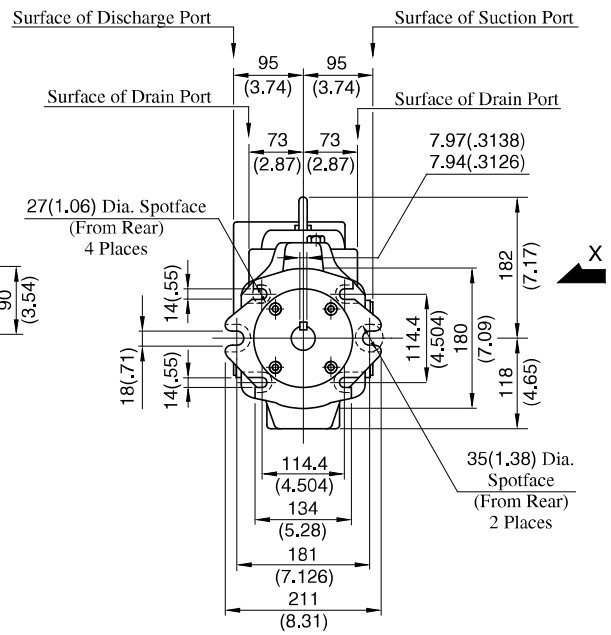
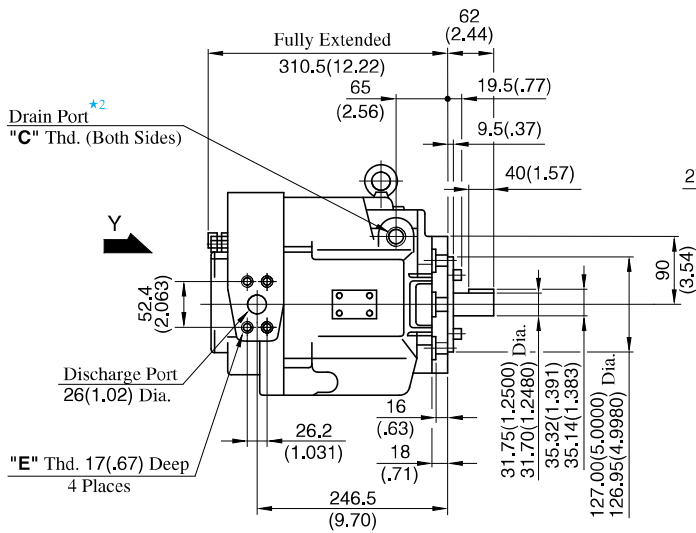
DIMENSIONS IN MILLIMETRES (INCHES)

Flange Mtg.: A56-F-R-01-\*-S-K-32/3280/32950

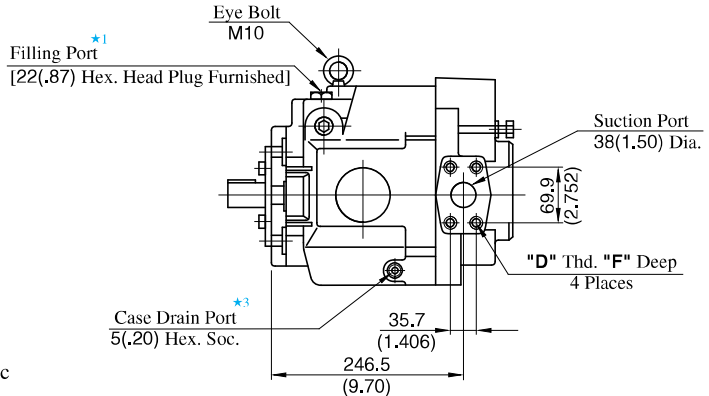


- For other dimensions, refer to "Axial Port Type".
- Foot Mtg. Type; Mounting bracket is common to that of "Axial Port Type".

**Flange Mtg.: A70-FR01\*S-60/6080/60950**



**View Arrow Y**



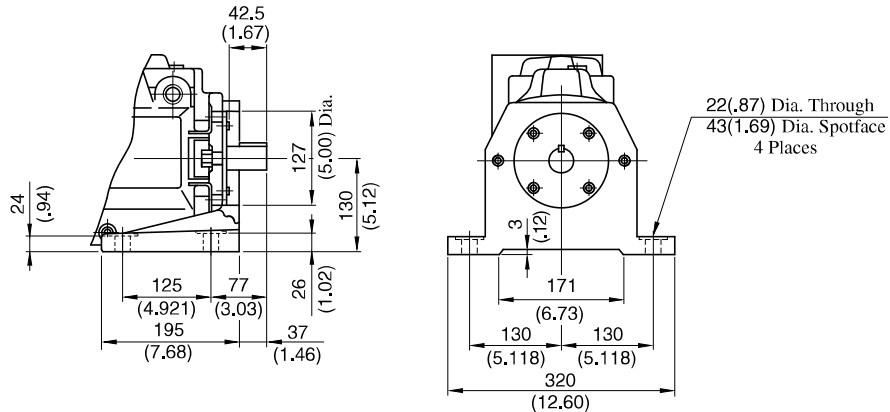
**View Arrow X**

- ★ 1. Install the pump so that the "Filling Port" is at the top.
- ★ 2. Use either port of the two drain ports at your option. Keep the remaining port plugged.
- ★ 3. Case drain port is available for use when draining hydraulic fluid from pump casing.

Model Numbers	"C" Thd.	"D" Thd.	"E" Thd.	F mm (IN.)
A70-FR01*S-60	Rc 3/4	M 12	M 10	19 (.75)
A70-FR01*S-6080	3/4 BSP.F			
A70-FR01*S-60950	SAE #12	1/2-13 UNC	3/8-16 UNC	21 (.83)

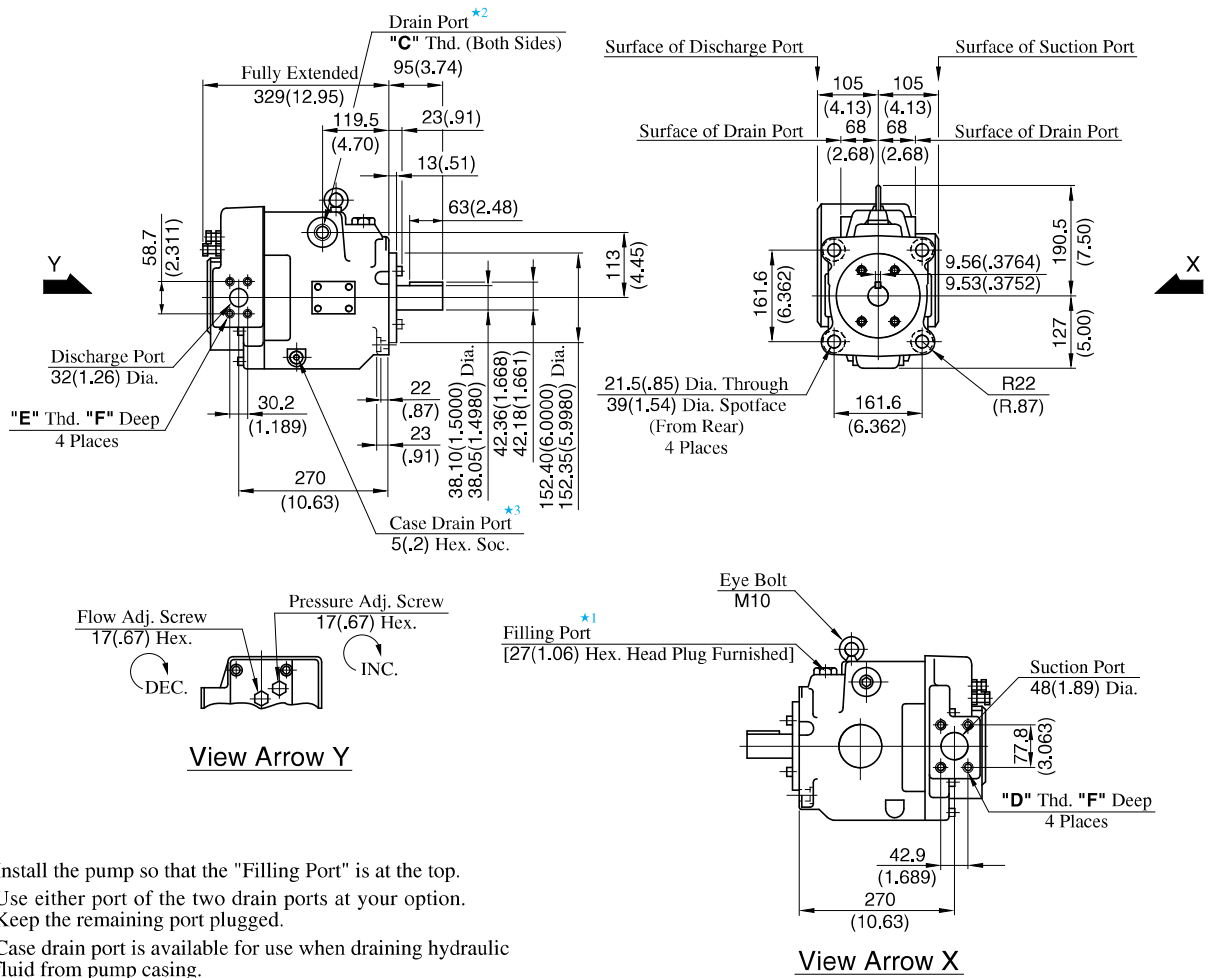
**DIMENSIONS IN MILLIMETRES (INCHES)**

**Foot Mtg.: A70-LR01\*S-60/6080/60950**



• For other dimensions, refer to "Flange Mtg.".

Flange Mtg.: A90-FR01\*S-60/6080/60950

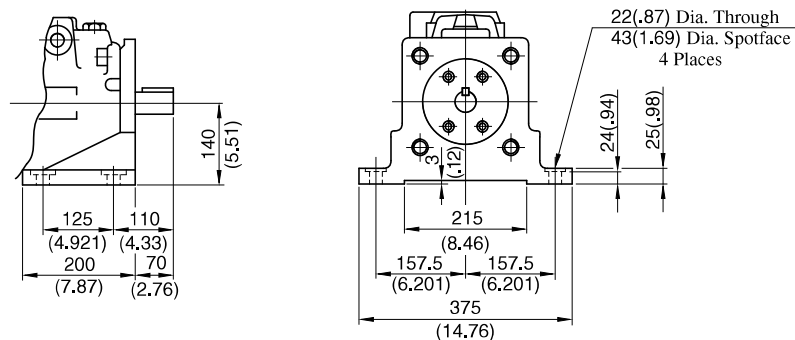


- ★ 1. Install the pump so that the "Filling Port" is at the top.
- ★ 2. Use either port of the two drain ports at your option. Keep the remaining port plugged.
- ★ 3. Case drain port is available for use when draining hydraulic fluid from pump casing.

Model Numbers	"C" Thd.	"D" Thd.	"E" Thd.	F mm (IN.)
A90-FR01*S-60	Rc 3/4	M 12	M 10	19 (.75)
A90-FR01*S-6080	3/4 BSP.F			
A90-FR01*S-60950	SAE #12	1/2-13 UNC	7/16-14 UNC	21 (.83)

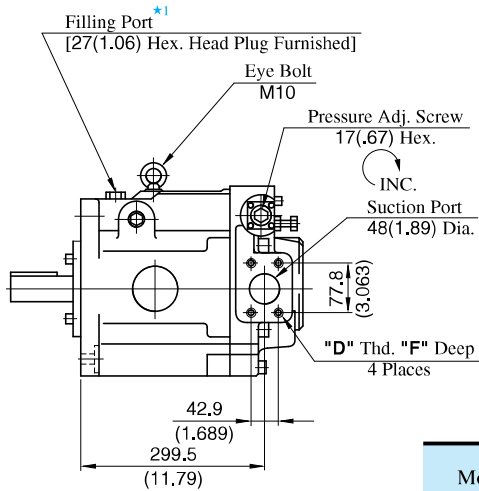
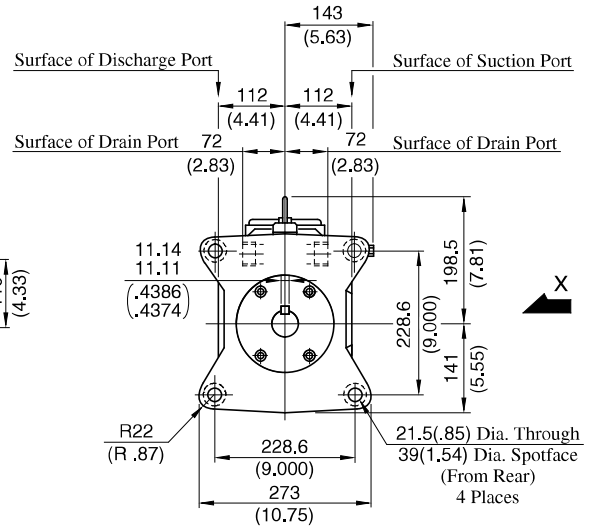
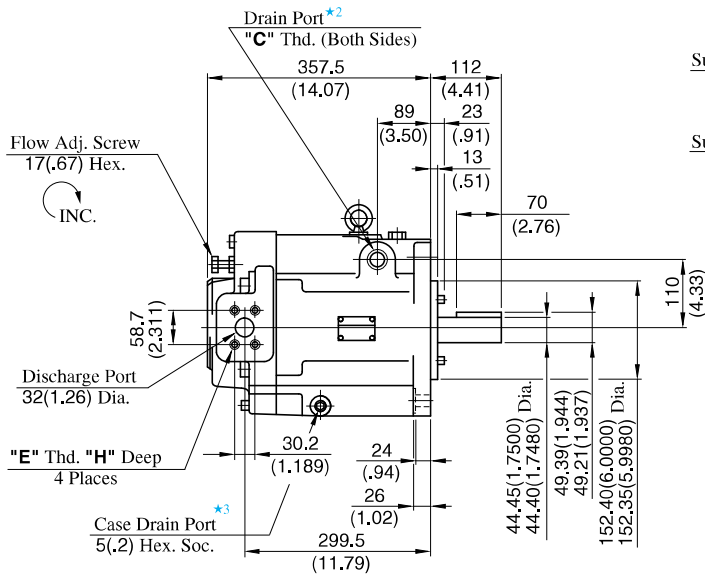
DIMENSIONS IN MILLIMETRES (INCHES)

Foot Mtg.: A90-LR01\*S-60/6080/60950



• For other dimensions, refer to "Flange Mtg.".

Flange Mtg.: A145-FR01\*S-60/6080/60950



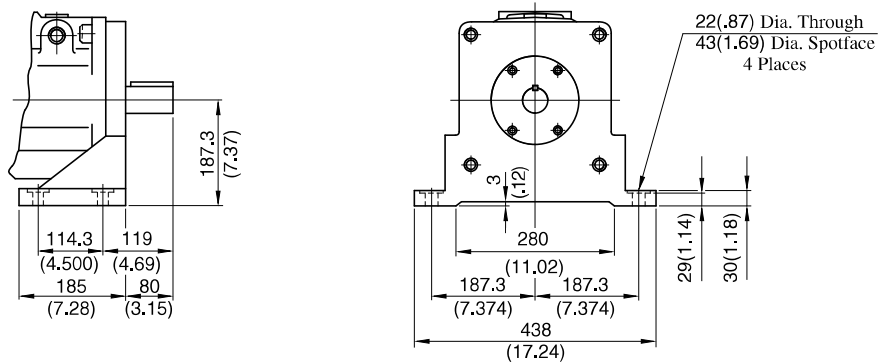
View Arrow X

- ★ 1. Install the pump so that the "Filling Port" is at the top.
- ★ 2. Use either port of the two drain ports at your option. Keep the remaining port plugged.
- ★ 3. Case drain port is available for use when draining hydraulic fluid from pump casing.

Model Numbers	"C" Thd.	"D" Thd.	"E" Thd.	Dimensions mm (IN.)	
				F	H
A145-FR01*S-60	Rc 3/4	M 12	M 10	19 (.75)	19 (.75)
A145-FR01*S-6080	3/4 BSP.F	M 12	M 10	19 (.75)	19 (.75)
A145-FR01*S-60950	SAE #12	1/2-13 UNC	7/16-14 UNC	21 (.83)	20 (.79)

**DIMENSIONS IN MILLIMETRES (INCHES)**

Foot Mtg.: A145-LR01\*S-60/6080/60950



• For other dimensions, refer to "Flange Mtg.".