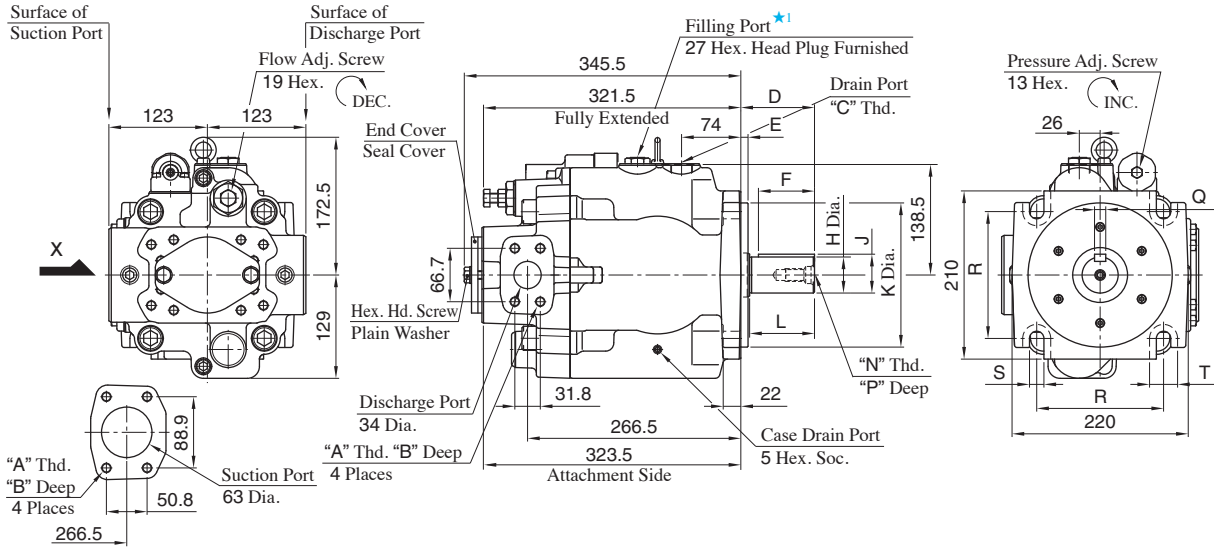


Flange Mtg.:A3HG145-FR01KK-E1D/E2D/U1D/U2D/J1D



View Arrow X

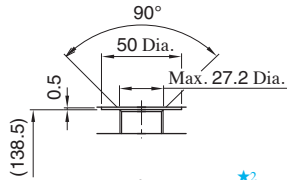
*1. Install the pump so that the "Filling Port" is at the top.

Model Numbers	A	B	C	D	E	F	H	J	K	L	N	P	Q	R	S	T	Mounting Flange	Connecting Port	Pipe Flange Threads
A3HG145-FR01KK-E1D/E2D	M12	22	M27X2	92	9	70	45 ^{+0.018} _{-0.002}	48.5 ^{+0.018} _{-0.288}	180 ⁰ _{-0.063}	82	M16	36	14 ⁰ _{-0.043}	158.4	18	35	Conforms to ISO 3019-2	Metric	Metric
A3HG145-FR01KK-U1D	1/2-13 UNC	21	G 3/4	75	12.7	56	44.45 ⁰ _{-0.05}	49.39 ⁰ _{-0.18}	152.4 ⁰ _{-0.05}	67		32	11.11 ^{+0.03} ₀	161.6	21.5	39	Conforms to ISO 3019-1	Unified	Unified
A3HG145-FR01KK-U2D	M12	22	G 3/4	75	12.7	56	44.45 ⁰ _{-0.05}	49.39 ⁰ _{-0.18}	152.4 ⁰ _{-0.05}	67	1/2-13 UNC	32	11.11 ^{+0.03} ₀	161.6	21.5	39	Conforms to ISO 3019-1	BSPP	Metric
A3HG145-FR01KK-J1D	M12	22	G 3/4	75	12.7	56	44.45 ⁰ _{-0.05}	49.39 ⁰ _{-0.18}	152.4 ⁰ _{-0.05}	67		32	11.11 ^{+0.03} ₀	161.6	21.5	39	Conforms to ISO 3019-1	Rc	Metric

Drain Port

For Port/Flange Code "U1/J1", Adapter and bonded seal are attached. After installing the bonded seal at the drain port tighten the adapter

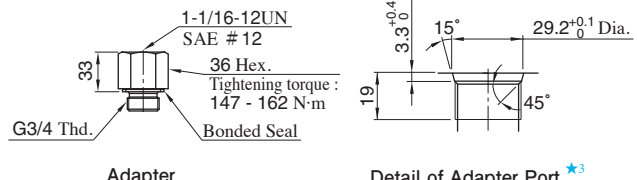
● Detail:A3HG145-FR01KK-E1D/E2D



Detail of Drain Port *2

*2. Drain port conforms to ISO 9974-1, metric threads.

● Accessories:A3HG145-FR01KK-U1D

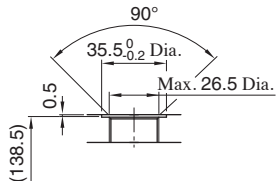


Adapter

Detail of Adapter Port *3

*3. Adapter port conforms to SAE J 514, O-Ring seals.

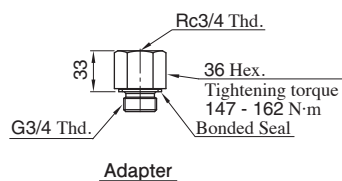
● Detail:A3HG145-FR01KK-U2D



Detail of Drain Port *4

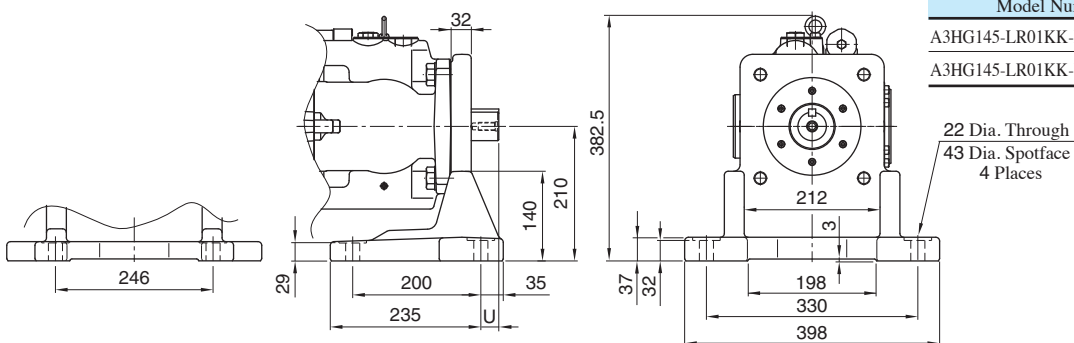
*4. Drain port conforms to ISO 1179-1, BSPP threads.

● Accessories:A3HG145-FR01KK-J1D



Adapter

Foot Mtg.:A3HG145-LR01KK-E1D/E2D/U1D/U2D/J1D



Model Numbers	U
A3HG145-LR01KK-E1D/E2D	45
A3HG145-LR01KK-U1D/U2D/J1D	28

● For other dimensions, refer to "Flange Mtg."