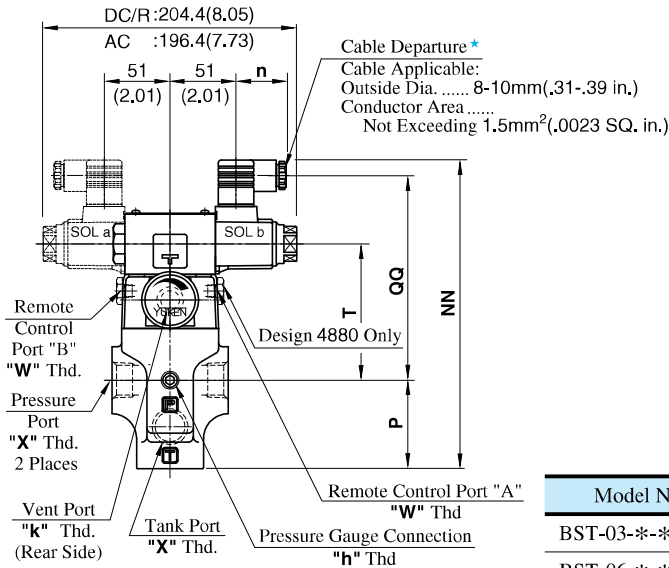


● **Models with Plug-in Connector**

DIMENSIONS IN MILLIMETRES (INCHES)

03
BST-06-**-**-N-48/4880/4890
10



Model Numbers	Dimensions mm(Inches)				
	P	T	NN	QQ	n
BST-03-**-A*-N	68.5 (2.70)	105.5 (4.15)	239 (9.41)	158.5 (6.24)	39 (1.54)
BST-06-**-A*-N					
BST-10-**-A*-N	89 (3.50)	117.5 (4.63)	271.5 (10.69)	170.5 (6.71)	
BST-03-**-D*-N	68.5 (2.70)	105.5 (4.15)	250 (9.84)	169.5 (6.67)	39 (1.54)
BST-06-**-D*-N					
BST-10-**-D*-N	89 (3.50)	117.5 (4.63)	282.5 (11.12)	181.5 (7.15)	
BST-03-**-R*-N	68.5 (2.70)	105.5 (4.15)	253 (9.96)	162.7 (6.41)	53 (2.09)
BST-06-**-R*-N					
BST-10-**-R*-N	89 (3.50)	117.5 (4.63)	285.5 (11.24)	174.7 (6.88)	

Model Numbers	"W" Thd.	"X" Thd.	"h" Thd.	"k" Thd.
BST-03-**-**-N-4880		3/8 BSP.F		
BST-06-**-**-N-4880	1/8 BSP.F	3/4 BSP.F	1/4 BSP.Tr	3/8 BSP.Tr
BST-10-**-**-N-4880		1-1/4 BSP.F		

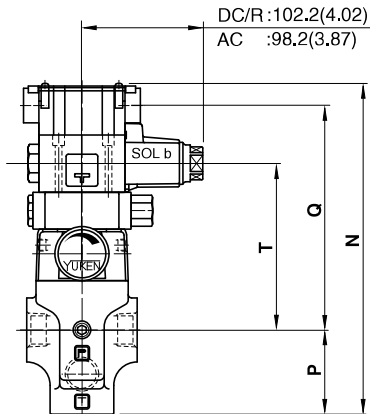
★ Position of cable departure can be changed. For details, refer to DSG-01 valve on page 357.

See the installation drawing of terminal box type on page 223 for design 48 and 4890 port thread and other dimensions.

■ **Options - Models with Vent Restrictor**

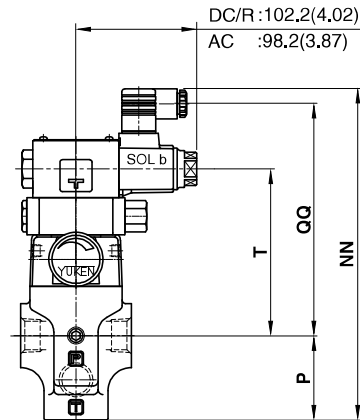
● **Terminal Box Type**

03
A-BST-06-**-2B3A
10 2B3B-**-48/4880



● **Plug-in Connector Type**

03
A-BST-06-**-2B3A
10 2B3B-**-N-48/4880/4890



Model Numbers	Dimensions mm (Inches)		Terminal Box Type		Plug-in Connector Type					
	P	T	Terminal Box Type		AC Solenoid		DC Solenoid		R (AC→DC) Solenoid	
			N	Q	NN	QQ	NN	QQ	NN	QQ
A-BST-03	68.5 (2.70)	135.5 (5.33)	269.3 (10.60)	182.5 (7.19)	269 (10.59)	188.5 (7.42)	280 (11.02)	199.5 (7.85)	283 (11.14)	192.7 (7.59)
A-BST-06										
A-BST-10	89 (3.50)	147.5 (5.81)	301.8 (11.88)	194.5 (7.66)	301.5 (11.87)	200.5 (7.89)	312.5 (12.30)	211.5 (8.33)	315.5 (12.42)	204.7 (8.06)

For other dimensions, see the models without vent restrictor type on page 223 and 224.