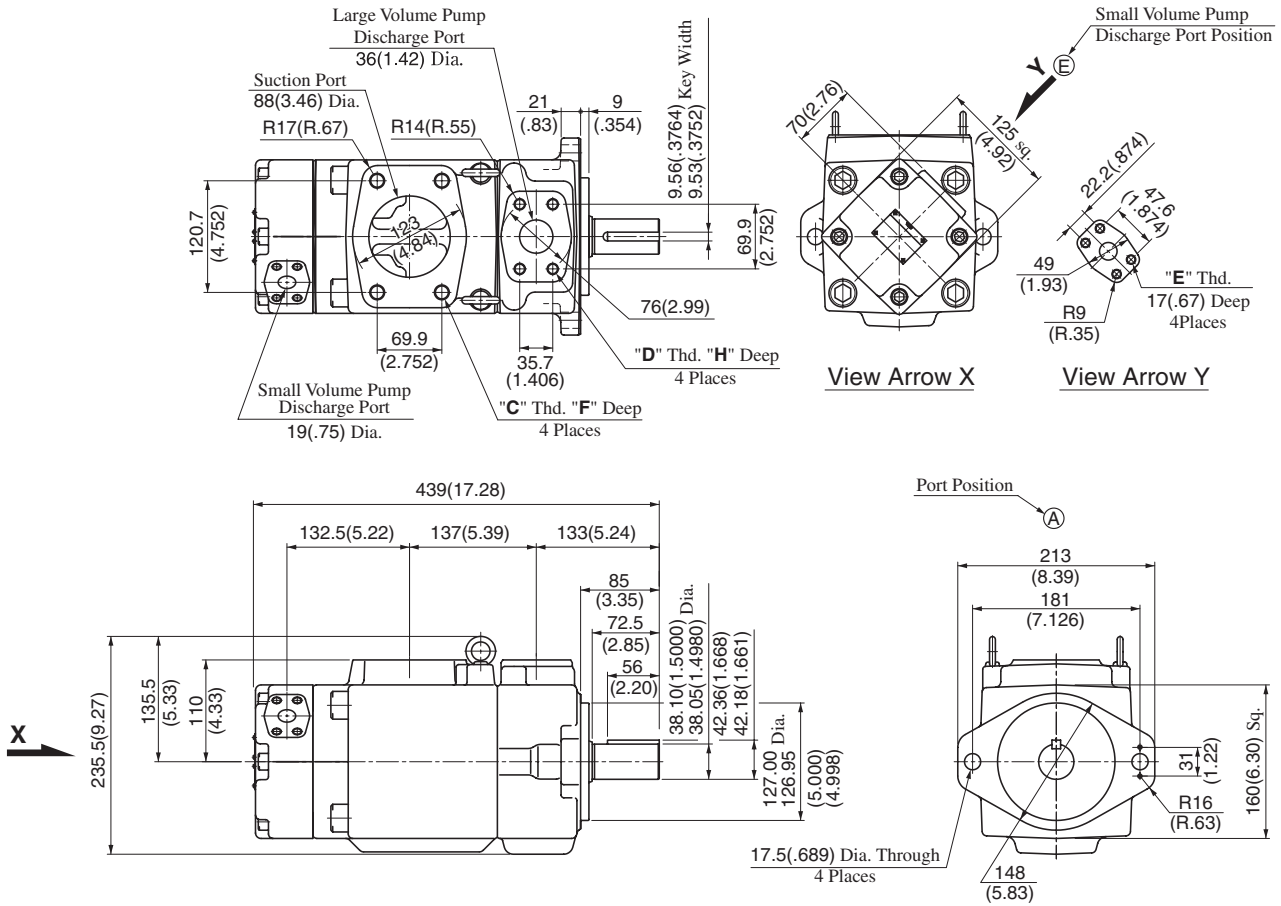


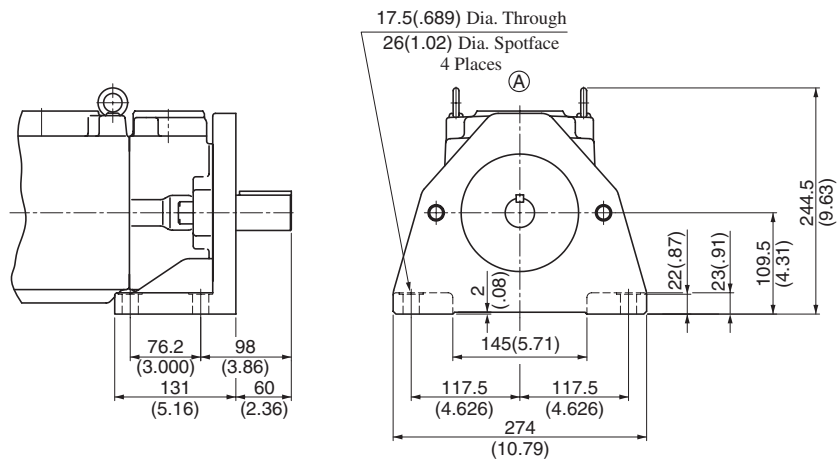
Flange Mtg.: PV2R24A-\*-F-REAA-10/1090



Model Numbers	"C" Thd.	"D" Thd.	"E" Thd.	Dimensions mm (Inches)	
				F	H
PV2R24A-*-F-REAA-10	M16	M14	M10	19 (.75)	22 (.87)
PV2R24A-*-F-REAA-1090	5/8-11 UNC	1/2-13 UNC	3/8-16 UNC	21 (.83)	21 (.83)

**DIMENSIONS IN MILLIMETRES (INCHES)**

Foot Mtg.: PV2R24A-\*-L-REAA-10/1090



• For other dimensions, refer to "Flange Mtg.".