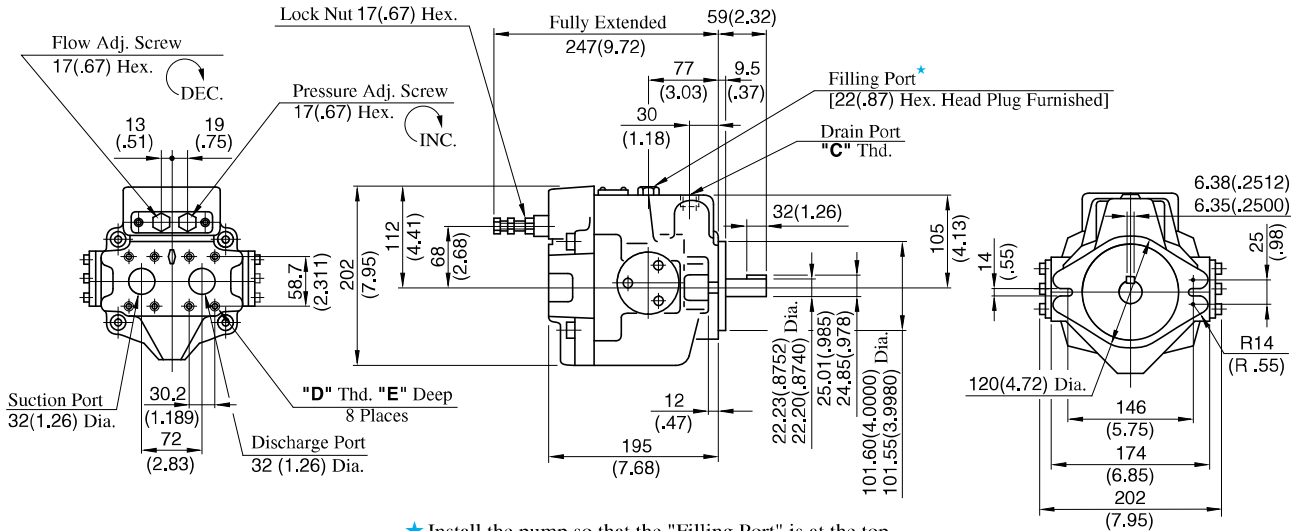


**Axial Port Type**

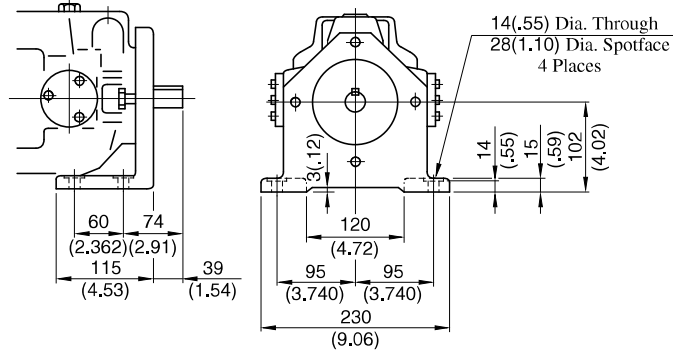
Flange Mtg.: A37-F-R-01-\*-K-32/3280/32950

Model Numbers	"C" Thd.	"D" Thd.	E mm (IN.)
A37-F-R-01-*-K-32	Rc 1/2	M 10	19 (.75)
A37-F-R-01-*-K-3280	1/2 BSP.F		
A37-F-R-01-*-K-32950	SAE #10	7/16-14 UNC	20 (.79)



★ Install the pump so that the "Filling Port" is at the top.

Foot Mtg.: A37-L-R-01-\*-K-32/3280/32950

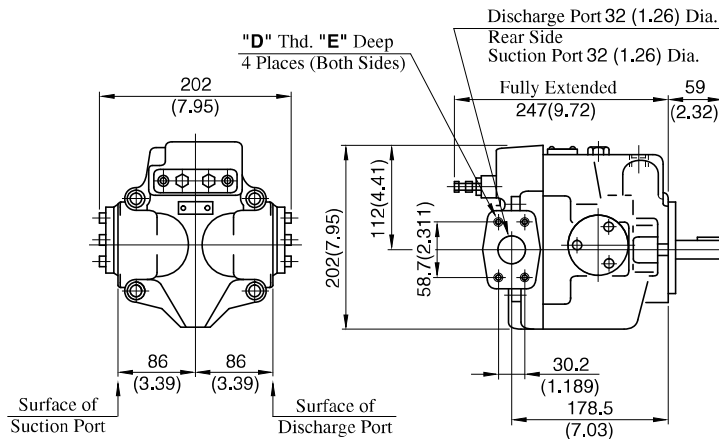


• For other dimensions, refer to "Flange Mtg.".

**Side Port Type**

**DIMENSIONS IN MILLIMETRES (INCHES)**

Flange Mtg.: A37-F-R-01-\*-S-K-32/3280/32950



• For other dimensions, refer to "Axial Port Type".  
 • Foot Mtg. Type; Mounting bracket is common to that of "Axial Port Type".