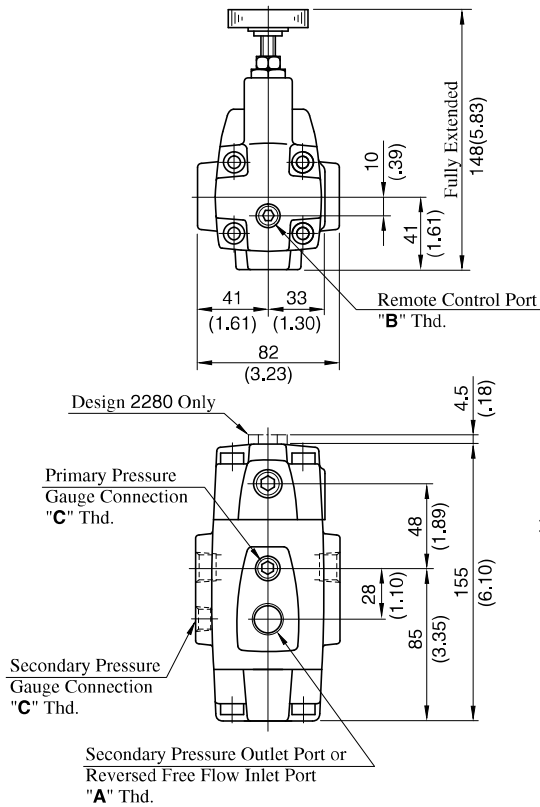
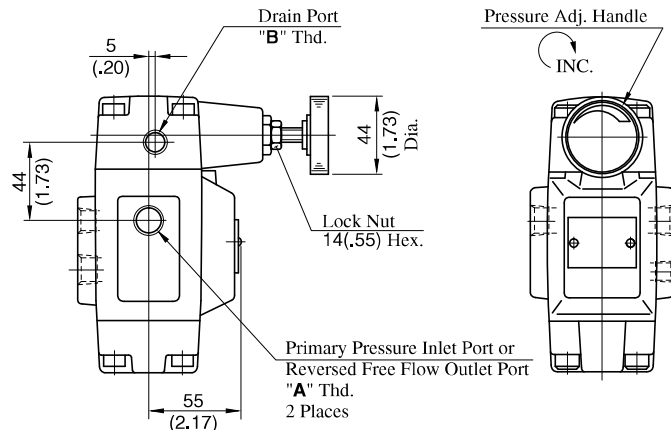


RCT-03-*-22/2280/2290

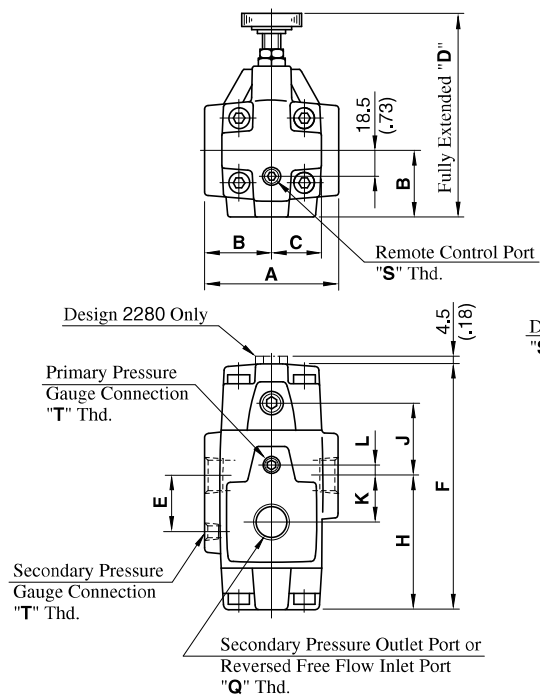


Model Numbers	Thread Size		
	"A" Thd.	"B" Thd.	"C" Thd.
RCT-03-*-22	Rc 3/8	Rc 1/4	Rc 1/4
RCT-03-*-2280	3/8 BSP.F	1/4 BSP.F	1/4 BSP.Tr
RCT-03-*-2290	3/8 NPT	1/4 NPT	1/4 NPT

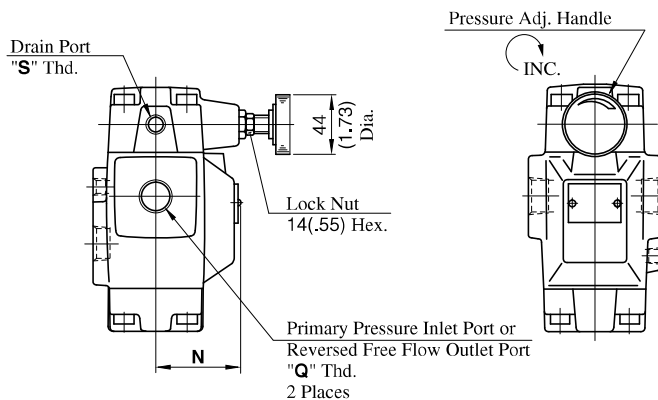


DIMENSIONS IN MILLIMETRES (INCHES)

RCT-06-10-*-22/2280/2290



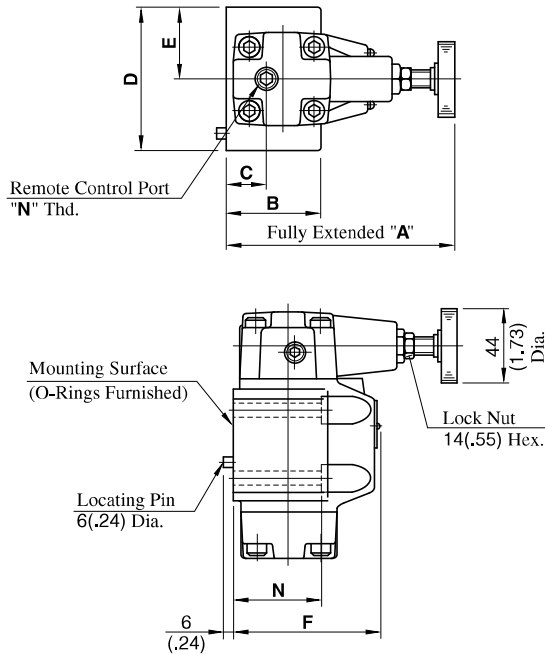
Model Numbers	Thread Size		
	"Q" Thd.	"S" Thd.	"T" Thd.
RCT-06-*-22	Rc 3/4	Rc 1/4	Rc 1/4
RCT-06-*-2280	3/4 BSP.F	1/4 BSP.F	1/4 BSP.Tr
RCT-06-*-2290	3/4 NPT	1/4 NPT	1/4 NPT
RCT-10-*-22	Rc 1-1/4	Rc 1/4	Rc 1/4
RCT-10-*-2280	1-1/4 BSP.F	1/4 BSP.F	1/4 BSP.Tr
RCT-10-*-2290	1-1/4 NPT	1/4 NPT	1/4 NPT



Model Numbers	Dimensions mm (Inches)										
	A	B	C	D	E	F	H	J	K	L	N
RCT-06	96 (3.78)	48 (1.89)	36.5 (1.44)	149 (5.87)	42 (1.65)	179 (7.05)	97.5 (3.84)	53.5 (2.11)	33 (1.30)	9 (.35)	68 (2.68)
RCT-10	132 (5.20)	66 (2.60)	43 (1.69)	167 (6.57)	52 (2.05)	216 (8.50)	124 (4.88)	64 (2.52)	40 (1.57)	12 (.47)	86 (3.39)

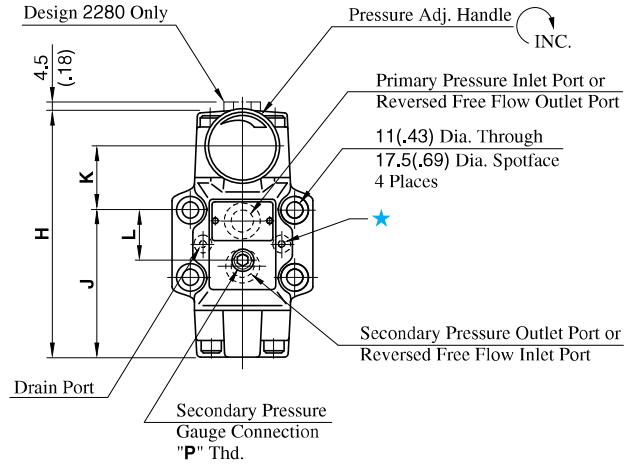
Pressure Reducing Valves / Pressure Reducing and Check Valves

RCG-03-06-⁰³-*-22/2280/2290



Model Numbers	Thread Size	
	"N" Thd.	"P" Thd.
RCG-03/06- ⁰³ -22	Rc 1/4	Rc 1/4
RCG-03/06- ⁰³ -2280	1/4 BSP.F	1/4 BSP.Tr
RCG-03/06- ⁰³ -2290	1/4 NPT	1/4 NPT

★ Port connection is not required for RCG models but an O-ring should be furnished.

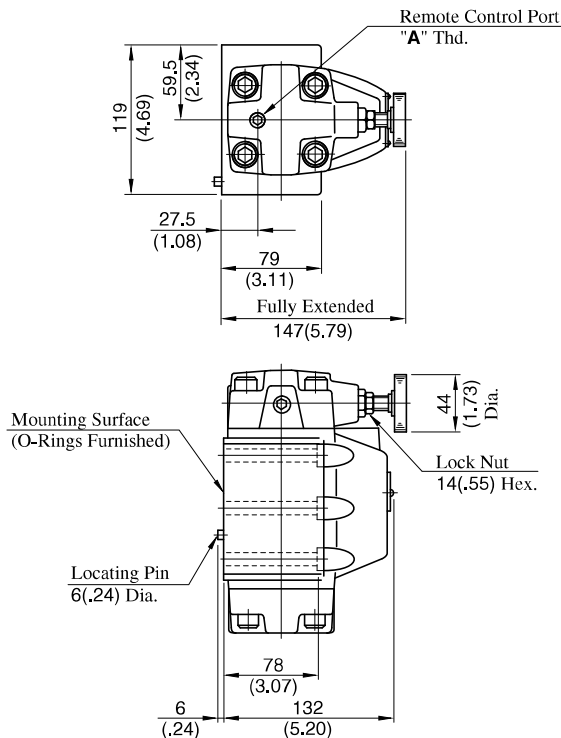


Model Numbers	Dimensions mm (Inches)										
	A	B	C	D	E	F	H	J	K	L	N
RCG-03	142 (5.59)	59 (2.32)	25 (.98)	89 (3.50)	44.5 (1.75)	90 (3.54)	155 (6.10)	92.4 (3.64)	40.6 (1.60)	34.9 (1.37)	58 (2.28)
RCG-06	141 (5.55)	69 (2.72)	21.5 (.85)	102 (4.02)	51 (2.01)	108 (4.25)	179 (7.05)	111 (4.37)	40 (1.57)	48 (1.89)	68 (2.68)

Note: For dimensions of the valve mounting surface see the dimensional drawing (page 244 & 245) of the sub-plate used together.

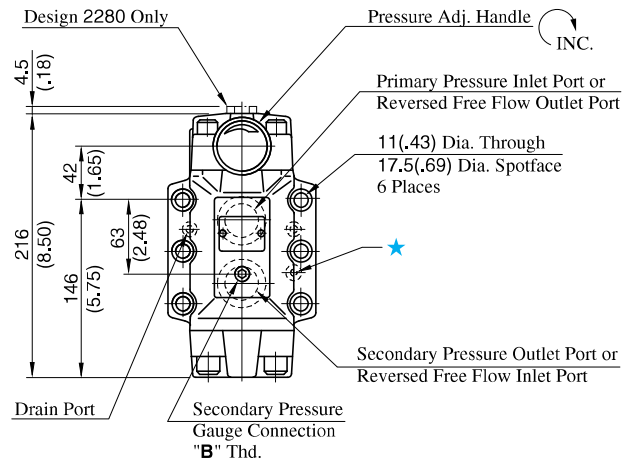
DIMENSIONS IN MILLIMETRES (INCHES)

RCG-10-⁰³-*-22/2280/2290



Model Numbers	Thread Size	
	"A" Thd.	"B" Thd.
RCG-10- ⁰³ -22	Rc 1/4	Rc 1/4
RCG-10- ⁰³ -2280	1/4 BSP.F	1/4 BSP.Tr
RCG-10- ⁰³ -2290	1/4 NPT	1/4 NPT

★ Port connection is not required for RCG models but an O-ring should be furnished.



Note: For dimensions of the valve mounting surface see the dimensional drawing (page 246) of the sub-plate used together.